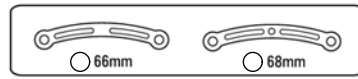
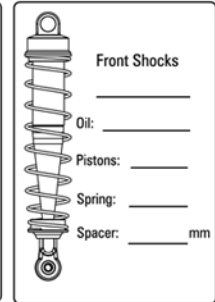
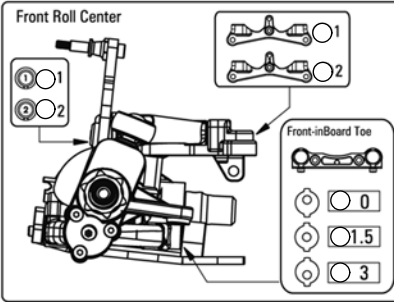
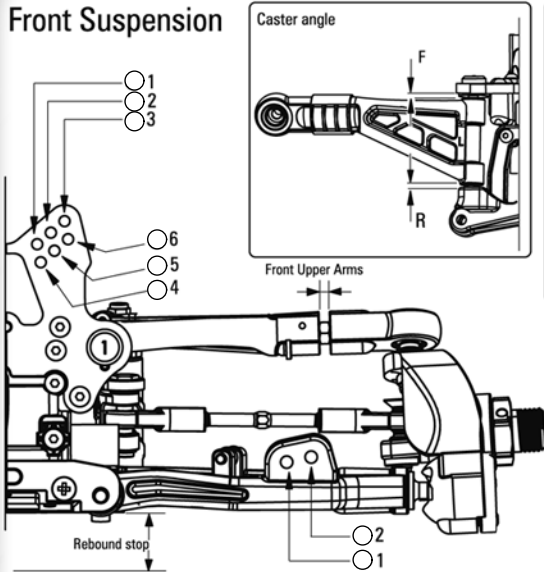


S8 BXe

1/8 HIGH-PERFORMANCE ELECTRIC 4WD R/C COMPETITION BUGGY

Front Suspension

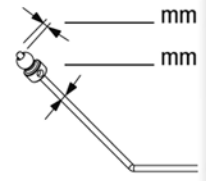


Caster angle F _____ mm
R _____ mm

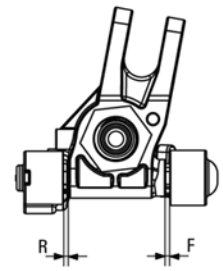
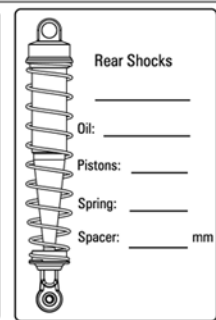
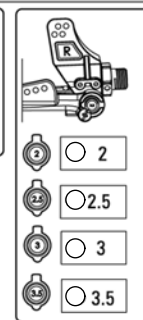
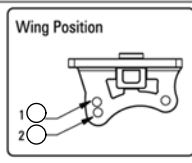
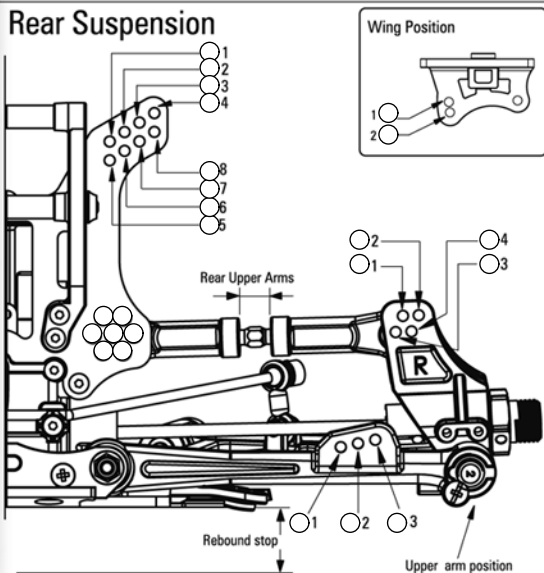
Camber front _____ mm

Rebound stop _____ mm

Notes : _____



Rear Suspension

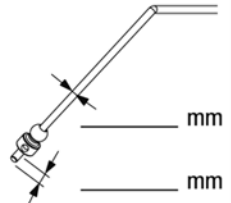


Wheelbase adjustment F _____ mm
R _____ mm

Camber rear _____ mm

Rebound Stop: _____ mm

Notes : _____



Tire

Front Type : _____ Foam : _____

Rear Type : _____ Foam : _____

ESC

Throttle Limit: _____ Braking %: _____

Motor Timing: _____ Initial Acceleration: _____

Drag Brake: _____

Diff Oil

Front : # _____

Center : # _____

Rear : # _____

Power Train

Motor: _____ Battery: _____

Spur: _____

Pinion: _____

Track Conditions

Size : Open Med Tight

Traction : High Med Low

Surface : Smooth Med Bumpy

Name : _____

Date : _____

Track : _____