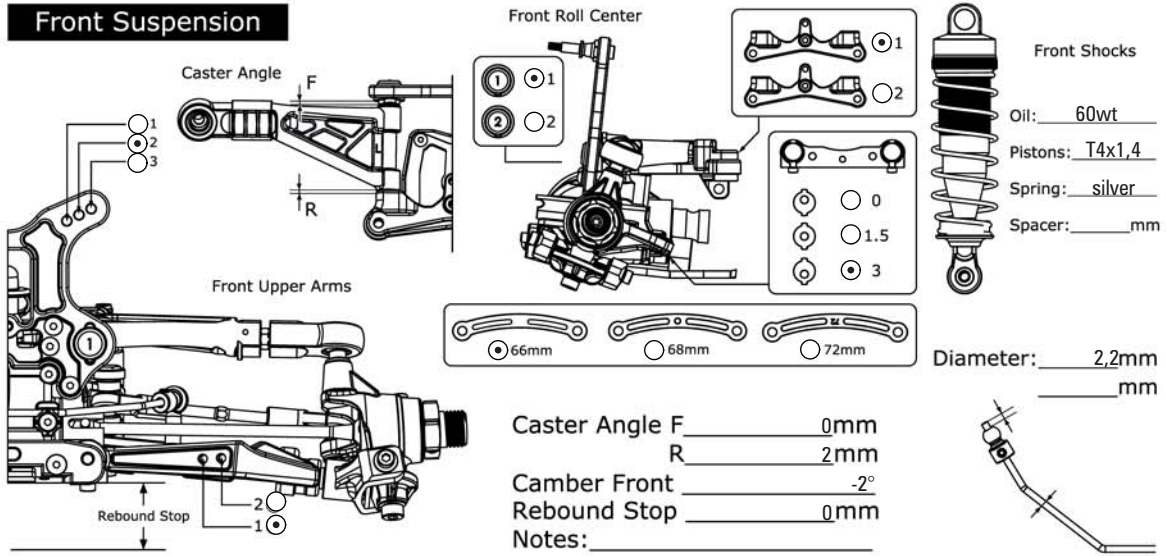


S8 BXR EVO

1/8 HIGH-PERFORMANCE
NITRO 4WD R/C COMPETITION BUGGY

Front Suspension



Front Roll Center

Caster Angle F _____ R _____

Front Upper Arms

Rebound Stop

Front Shocks

Oil: 60wt

Pistons: T4x1,4

Spring: silver

Spacer: _____ mm

Diameter: 2,2mm

_____ mm

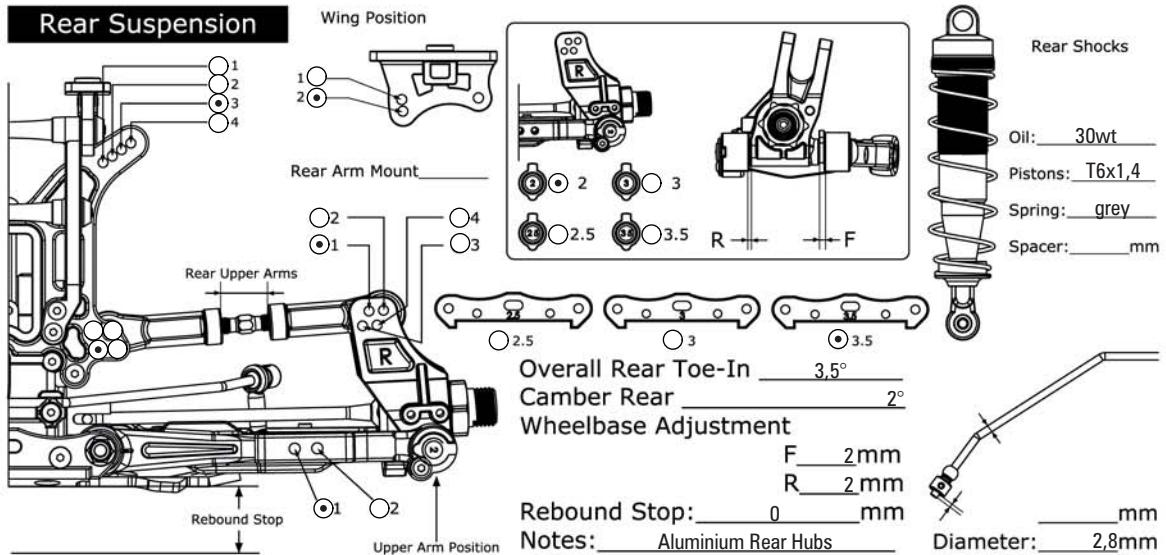
Caster Angle F _____ 0mm
R _____ 2mm

Camber Front _____ -2°

Rebound Stop _____ 0mm

Notes: _____

Rear Suspension



Wing Position

Rear Arm Mount

Rear Upper Arms

Rebound Stop

Upper Arm Position

Rear Shocks

Oil: 30wt

Pistons: T6x1,4

Spring: grey

Spacer: _____ mm

Overall Rear Toe-In _____ 3,5°

Camber Rear _____ 2°

Wheelbase Adjustment

F _____ 2mm
R _____ 2mm

Rebound Stop: _____ 0 mm

Notes: _____ Aluminium Rear Hubs

Diameter: _____ mm

_____ mm

Tire

Front _____
Type: _____
Foam: _____

Rear _____ t _____
Type: _____
Foam: _____

Clutch

Clutch Shoes: _____ Aluminium

Spring: _____ 3x1,0 _____ mm

Clutch Bell / Spur Gear: _____ 14/45

Diff Oil

Front: # _____ 3000

Center: # _____ 7000

Rear: # _____ 2000

Engine

Type: _____ LRP ZR.21X Spec2

Gasket: _____ 7 _____ mm

Plug: _____ OS P3

Muffler: _____ LRP Enduro

Fuel: _____ LRP 25%

Track Conditions

Size: Open Med Tight

Traction: High Med Low

Surface: Smooth Med Bumpy

Name: _____ Jörn Neumann

Date: _____ May 2010

Track: _____ Bischofsheim