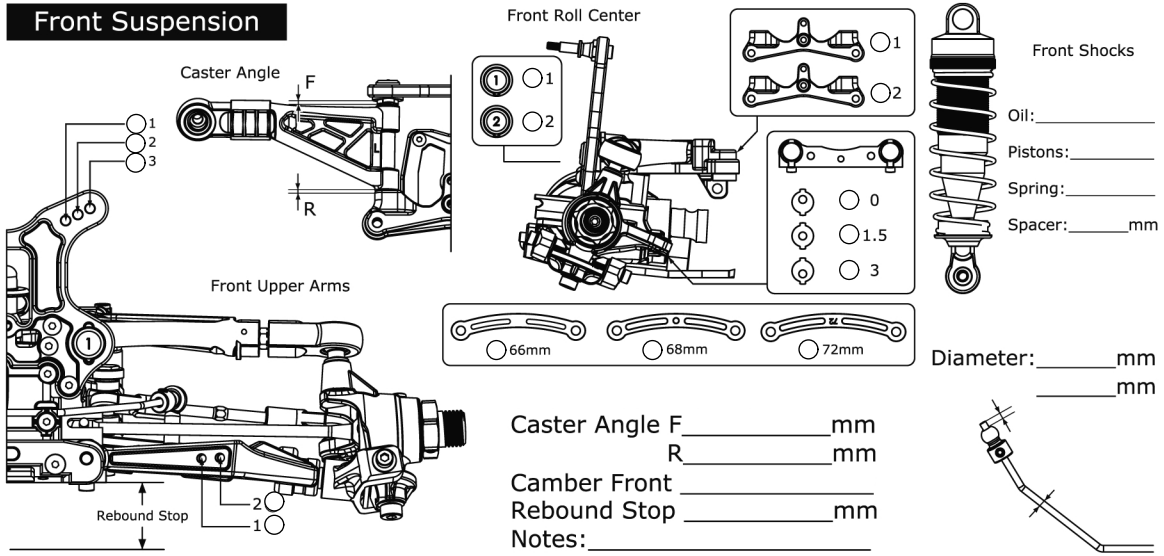


Front Suspension



Front Roll Center

Caster Angle F _____ mm
R _____ mm

Front Upper Arms

Rebound Stop

Front Shocks

Oil: _____
Pistons: _____
Spring: _____
Spacer: _____ mm

Diameter: _____ mm
_____ mm

66mm 68mm 72mm

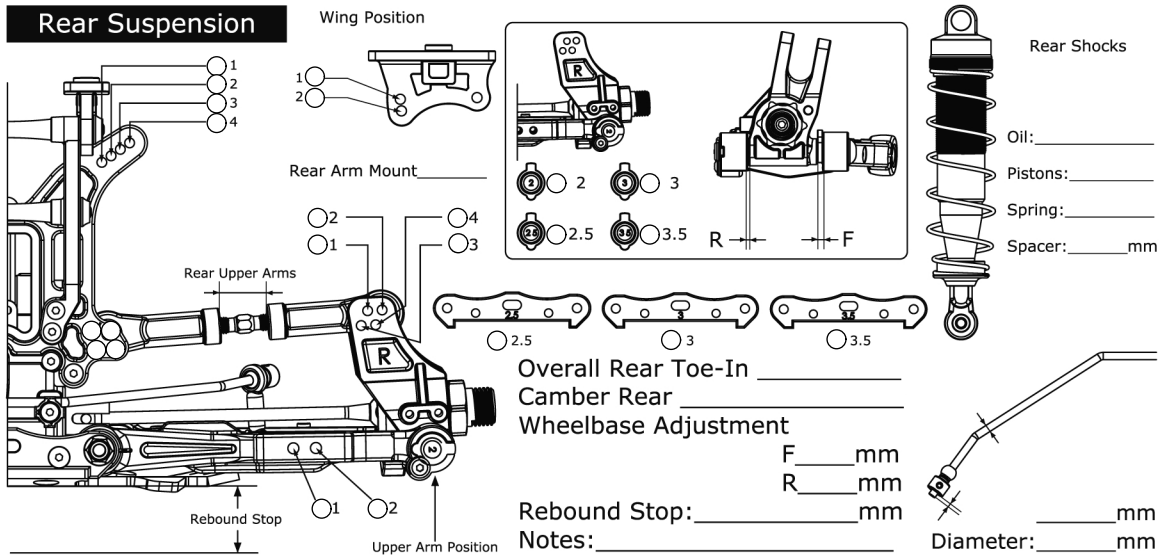
0 1.5 3

1 2

1 2 3

Notes: _____

Rear Suspension



Wing Position

Rear Arm Mount

Rear Upper Arms

Rebound Stop

Upper Arm Position

Rear Shocks

Oil: _____
Pistons: _____
Spring: _____
Spacer: _____ mm

2.5 3 3.5

2 2.5 3 3.5

Overall Rear Toe-In _____
Camber Rear _____
Wheelbase Adjustment
F _____ mm
R _____ mm

Rebound Stop: _____ mm

Notes: _____

Diameter: _____ mm

Tire

Front _____
Type: _____
Foam: _____

Rear _____
Type: _____
Foam: _____

Clutch

Clutch Shoes: _____
Spring: _____ mm
Clutch Bell / Spur Gear: _____

Diff Oil

Front: # _____
Center: # _____
Rear: # _____

Engine

Type: _____
Gasket: _____ mm Muffler: _____
Plug: _____ Fuel: _____

Track Conditions

Size: Open Med Tight
Traction: High Med Low
Surface: Smooth Med Bumpy

Name: _____
Date: _____
Track: _____