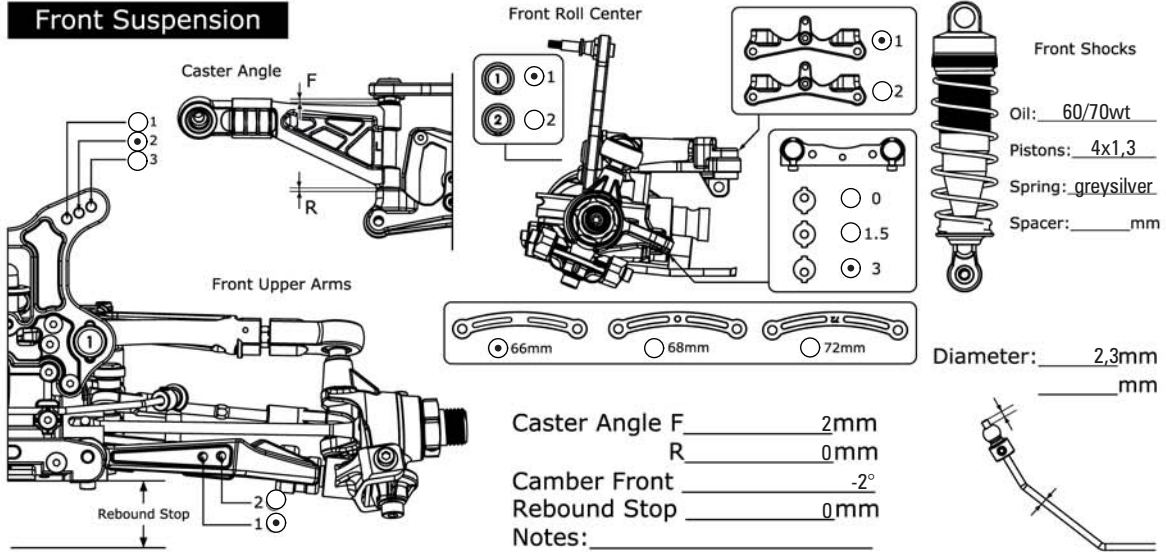


S8 BXR EVO

1/8 HIGH-PERFORMANCE
NITRO 4WD R/C COMPETITION BUGGY

Front Suspension



Front Roll Center

Caster Angle F _____ R _____

Front Upper Arms

Rebound Stop

Front Shocks

Oil: 60/70wt

Pistons: 4x1,3

Spring: greysilver

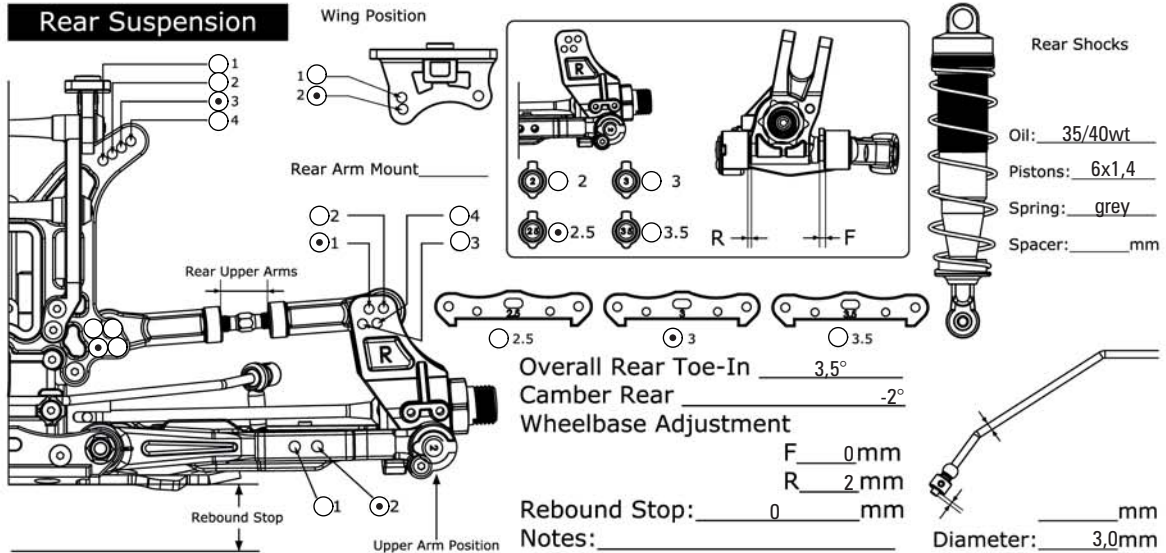
Spacer: _____ mm

Diameter: 2,3mm

_____ mm

Notes: _____

Rear Suspension



Wing Position

Rear Arm Mount

Rear Upper Arms

Rebound Stop

Upper Arm Position

Rear Shocks

Oil: 35/40wt

Pistons: 6x1,4

Spring: grey

Spacer: _____ mm

Overall Rear Toe-In 3,5°

Camber Rear -2°

Wheelbase Adjustment

F _____ mm

R 2 mm

Rebound Stop: _____ mm

Notes: _____

Diameter: _____ mm

3,0mm

Tire

Front _____

Type: _____

Foam: _____

Rear _____

Type: _____

Foam: _____

Clutch

Clutch Shoes: Aluminium

Spring: _____ 3x1,0 _____ mm

Clutch Bell / Spur Gear: 14/44

Diff Oil

Front: # 5000

Center: # 7000

Rear: # 1000

Engine

Type: LRP ZR.21X Spec2

Gasket: 7 mm

Plug: LRP WT3

Muffler: 2079

Fuel: LRP 25%

Track Conditions

Size: Open Med Tight

Traction: High Med Low

Surface: Smooth Med Bumpy

Name: LRP Team Basic Setup

Date: _____

Track: _____