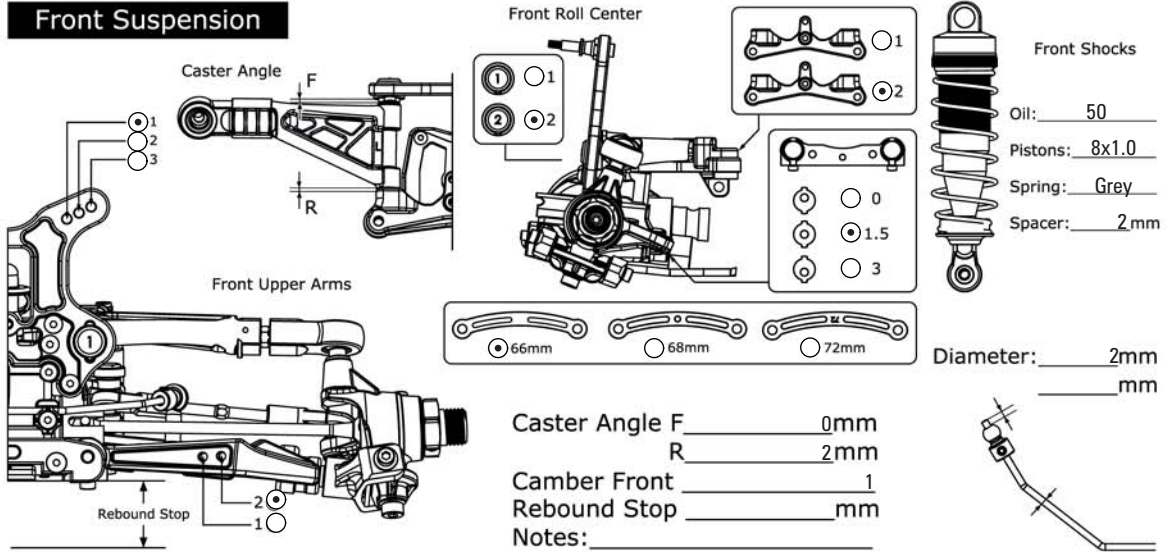


S8 BXR EVO

1/8 HIGH-PERFORMANCE
NITRO 4WD R/C COMPETITION BUGGY

Front Suspension



Front Roll Center

Caster Angle F _____ R _____

Front Upper Arms

Rebound Stop

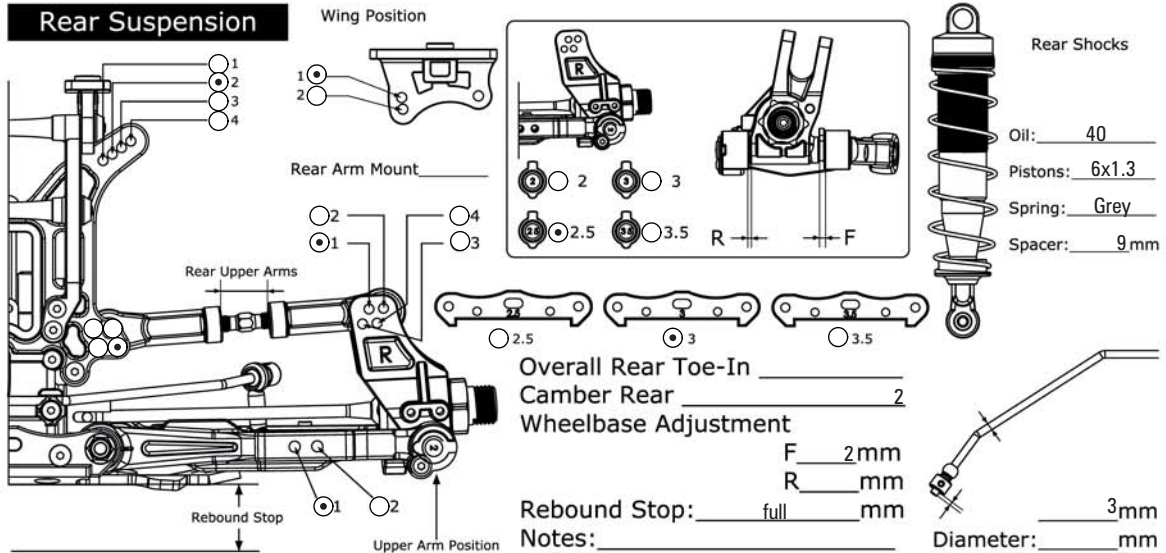
Front Shocks

Oil: 50
Pistons: 8x1.0
Spring: Grey
Spacer: 2mm

Diameter: 2mm
_____mm

Caster Angle F _____ 0mm
R _____ 2mm
Camber Front _____ 1
Rebound Stop _____ mm
Notes: _____

Rear Suspension



Wing Position

Rear Arm Mount

Rear Upper Arms

Rebound Stop

Upper Arm Position

Rear Shocks

Oil: 40
Pistons: 6x1.3
Spring: Grey
Spacer: 9mm

Overall Rear Toe-In _____
Camber Rear _____ 2
Wheelbase Adjustment
F _____ 2mm
R _____ mm
Rebound Stop: _____ full _____ mm
Notes: _____
Diameter: _____ mm

Tire

Front Impact super soft
Type: _____
Foam: red

Rear Impact super soft
Type: _____
Foam: red

Clutch

Clutch Shoes: LRP aluminium
Spring: 1.0 mm
Clutch Bell / Spur Gear: 13/44

Diff Oil

Front: # 7
Center: # 7
Rear: # 3

Engine

Type: Alpha A852
Gasket: _____ mm
Muffler: 2091
Plug: T3
Fuel: Meccamo 25%

Track Conditions

Size: Open Med Tight
Traction: High Med Low
Surface: Smooth Med Bumpy

Name: Borja Hernandez
Date: 20/5/2012
Track: EFRA GP reims(France)