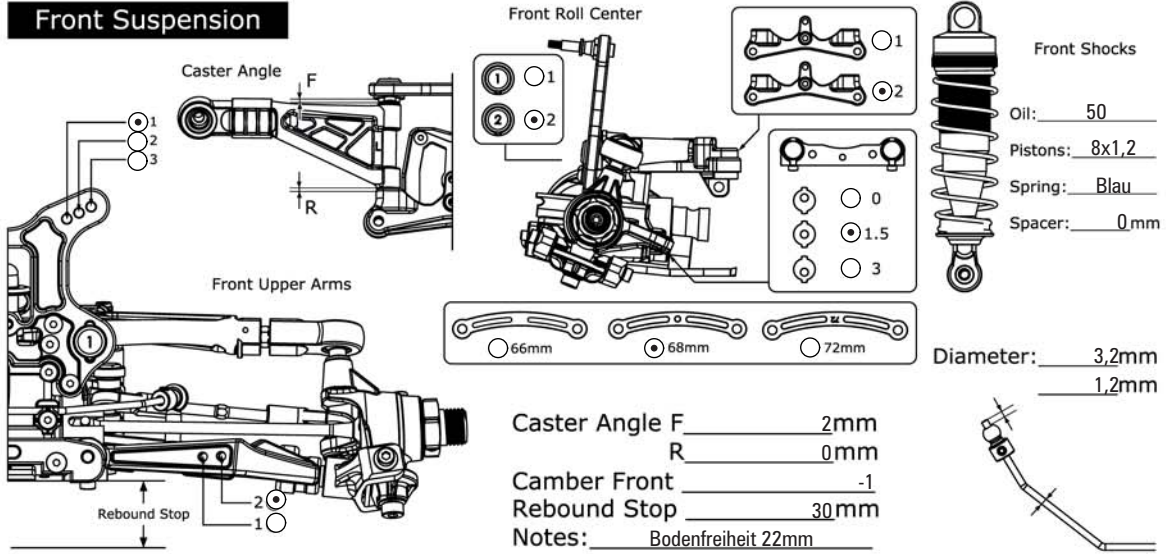


S8 BXR EVO

1/8 HIGH-PERFORMANCE
NITRO 4WD R/C COMPETITION BUGGY

Front Suspension



Front Roll Center

Caster Angle F _____ R _____

Front Upper Arms

Rebound Stop

Front Shocks

Oil: _____ 50 _____

Pistons: _____ 8x1,2 _____

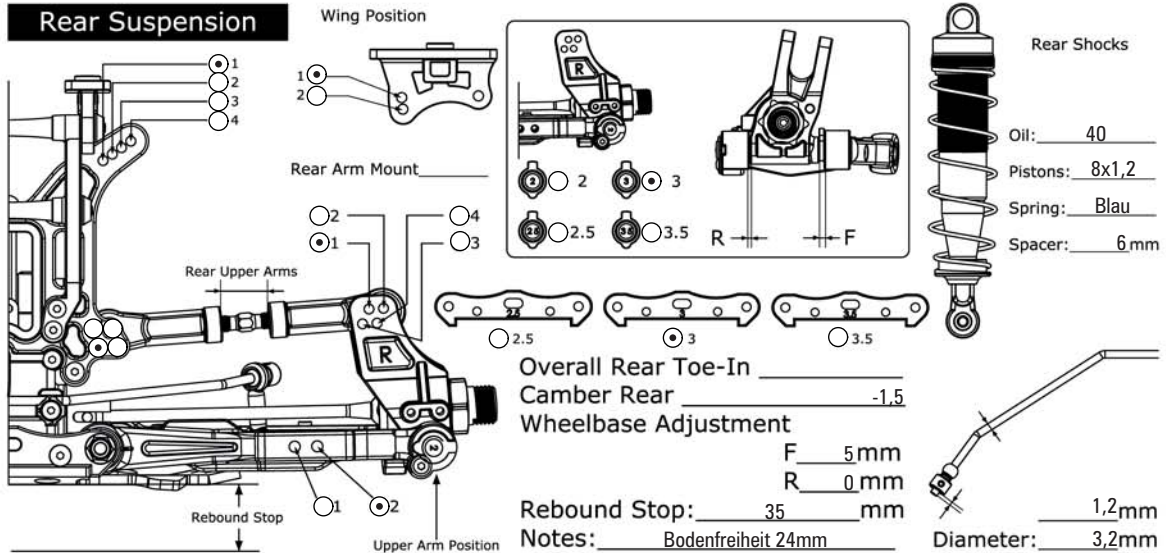
Spring: _____ Blau _____

Spacer: _____ 0mm _____

Diameter: _____ 3,2mm _____
_____ 1,2mm _____

Notes: Bodenfreiheit 22mm

Rear Suspension



Wing Position

Rear Arm Mount

Rear Upper Arms

Rebound Stop

Upper Arm Position

Rear Shocks

Oil: _____ 40 _____

Pistons: _____ 8x1,2 _____

Spring: _____ Blau _____

Spacer: _____ 6mm _____

Notes: Bodenfreiheit 24mm

Diameter: _____ 1,2mm _____
_____ 3,2mm _____

Tire

Front _____ Schumacher _____
Type: _____ Mini Pin Gelb _____
Foam: _____ AKA _____

Rear _____ Schumacher _____
Type: _____ Mini Pin Gelb _____
Foam: _____ AKA _____

Clutch

Clutch Shoes: _____ 3xAlu _____
Spring: _____ 1,1 _____ mm
Clutch Bell / Spur Gear: _____ 13/46 _____

Diff Oil

Front: # _____ 40000 _____
Center: # _____ 40000 _____
Rear: # _____ 20000 _____

Engine

Type: _____ LRP ZR.21x SPEC.2 _____
Gasket: _____ 7 _____ mm Muffler: _____ LRP 2076 _____
Plug: _____ Orion 5 _____ Fuel: _____ LRP25% _____

Track Conditions

Size: Open Med Tight
Traction: High Med Low
Surface: Smooth Med Bumpy

Name: _____ Philipp Guschl _____
Date: _____ WEC+Nitro Cross _____
Track: _____ Quakenbrück _____