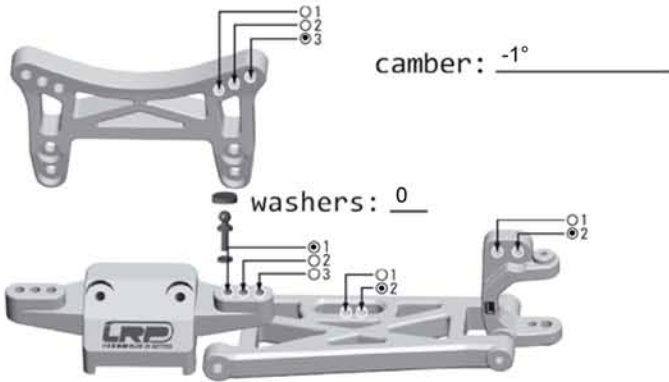




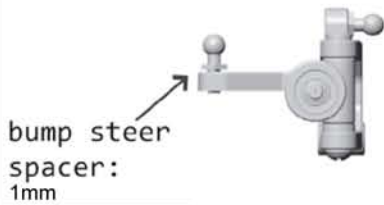
SETUP SHEET

● Front Suspension



washers: 0

ride height: 11mm



bump steer spacer: 1mm

kickup
25°
30°

● Front Shocks

spring: met. blue piston: original
shock oil: LRP 35WT limiter: none

● Electronics

motor&wind: LRP Vector X12 Stock Spec 13.5T
pinion: 26T
spur gear: 78T
batteries: LRP LiPo CCL 6900 50C/100C

● Other

body: original
notes: JConcepts J0122 6" high downforce rear wing

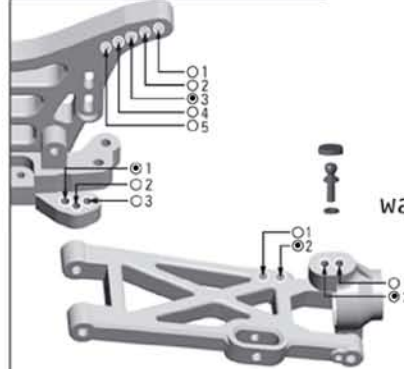
● Front Tires

tire: VTEC Groove 2WD
compound: standard
insert: standard
wheel: standard

● Race Comments

qualify: _____ main: _____ finish: _____
comments: _____

● Rear Suspension



camber: -1.5°

anti-squat
std
other

washers: 0

rear hub carriers

std ride height: 13mm
0°

1°
wheel base
long
medium
short



anti-roll bar: none

● Rear Shocks

spring: met. blue piston: original
shock oil: LRP 45WT limiter: none

● Differential

gear differential fluid: LRP 20.000WT
ball differential:

● Rear Tires

tire: VTEC Kamikaze 10
compound: standard
insert: standard
wheel: standard

● Track Info

smooth: bumpy: blue groove:
traction high: med: low:
soft dirt: grass: clay: wet:
dusty: other: small carpet indoor track
big and fast jumps