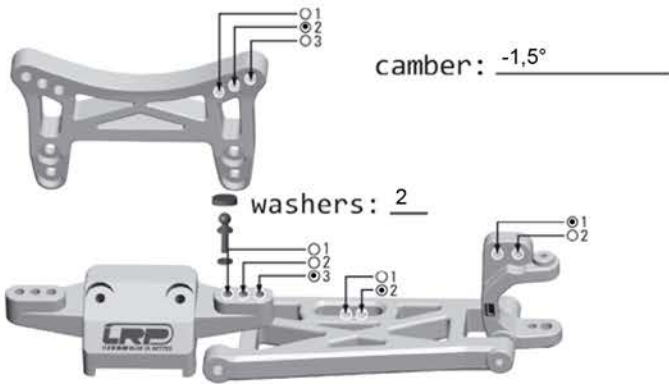


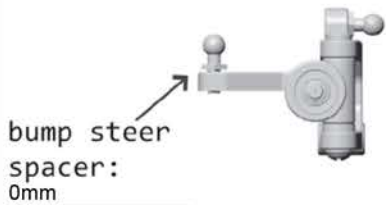
SETUP SHEET

● Front Suspension



washers: 2

ride height: 16mm



bump steer spacer: 0mm

kickup
25°
30°

● Front Shocks

spring: blue metallic piston: stock
shock oil: LRP 55 wt limiter: no

● Electronics

motor&wind: LRP X12 Stock Spec 13,5T
pinion: 27 T
spur gear: 78 T
batteries: LRP LiPo CCL Short SubC 4400 55C/110C

● Other

body: original
notes: _____

● Front Tires

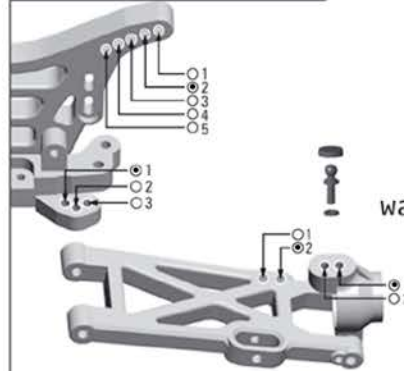
tire: VTEC groove 10
compound: _____
insert: stock
wheel: stock

● Race Comments

qualify: _____ main: _____ finish: _____
comments: speedo : LRP Flow Works Team #80970

LRP Offroad Challenge Leonberg

● Rear Suspension



camber: -0.5°

anti-squat
std
other

washers: 0mm

rear hub carriers

std ride height: 19mm
0°

1°
wheel base
long
medium
short



anti-roll bar: _____
none:

● Rear Shocks

spring: blue metallic piston: stock
shock oil: LRP 45 wt limiter: no

● Differential

gear differential fluid: LRP 10000 wt
ball differential:

● Rear Tires

tire: VTEC Kamikaze 10
compound: _____
insert: stock
wheel: stock

● Track Info

smooth: bumpy: blue groove:
traction high: med: low:
soft dirt: grass: clay: wet:
dusty: other: carpet