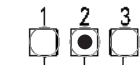


S10TX BLAST2

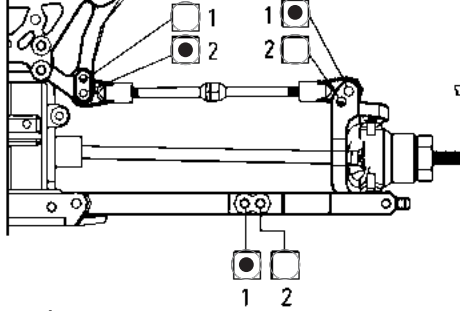
SETUP SHEET

FRONT SUSPENSION

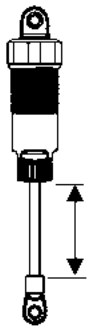
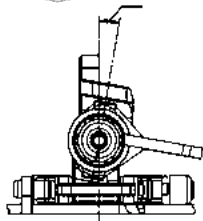
Shock position



Upper arm position

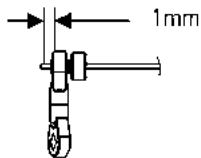


Caster angle
Standard: 10°
Option: 4°

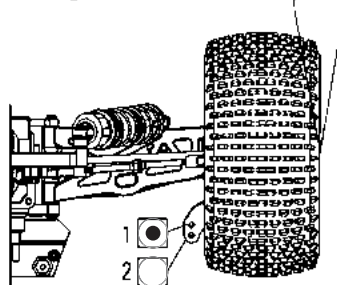


Front shock
Oil: LRP 25wt
Pistons: std
Spacer: 4mm
Springs: std

Sway bar
Diameter: 2 mm

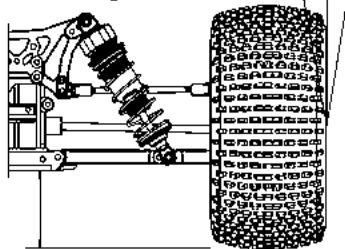


Toe angle



Front toe angle 0°
Notes _____
Rear toe angle +2.5°
Notes _____

Camber angle

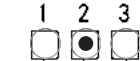


Camber front -2°
Notes _____
Camber rear -2°
Notes _____

Rideheight front 34mm
Rideheight rear 35mm

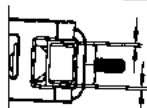
REAR SUSPENSION

Shock position



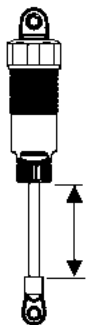
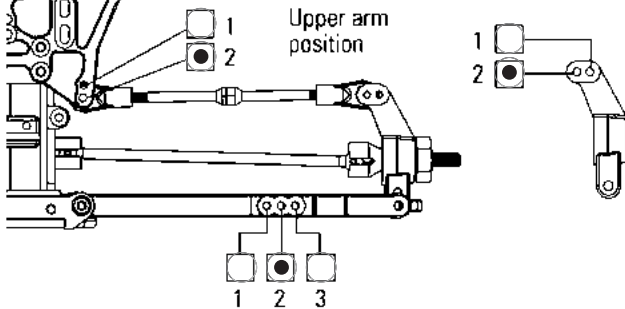
Wheelbase adjustment

Rear 1 mm



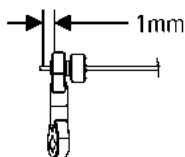
Front 1 mm

Upper arm
position



Rear shock
Oil: LRP 25wt
Pistons: std
Spacer: 0mm
Springs: std

Sway bar
Diameter: 2 mm



Tire

Front _____ Rear _____
Type: std (#122268) Type: std (#122269)
Foam: _____ Foam: _____

Motor: _____ Battery: _____
Spur Gear: 77T ESC: _____
Pinion Gear: _____ Servo: LRP R-7103WP

Track conditions

Size: Open Med Tight
Traction: High Med Low
Surface: Smooth Med Bumpy

Diff Oil

Front: Grease
Rear: Grease

Comment

Basic Setup, LRP Team

Name: _____

Date: _____

Track: _____