

SIOBLAST TC

SETUP GUIDE

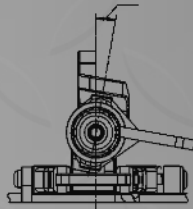
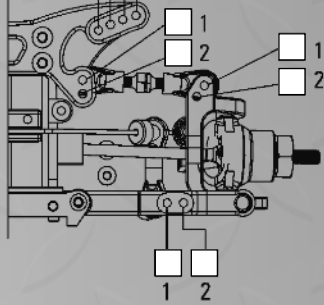
FRONT SUSPENSION

Shock position

1 2 3 4

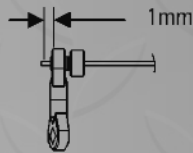
Caster angle
 Standard: 10°
 Option: 4°

Upper arm position

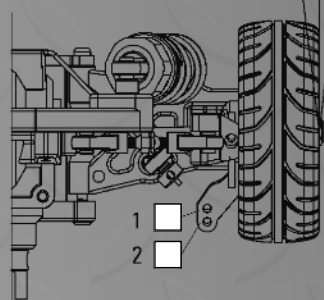


Front shock
 Oil: _____
 Pistons: _____
 Spacer: _____
 Springs: _____

Sway bar
 Diameter: _____ mm

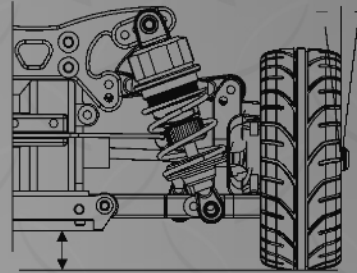


Toe angle



Front toe angle _____
 Notes _____
 Rear toe angle _____
 Notes _____

Camber angle



Camber front _____
 Notes _____
 Camber rear _____
 Notes _____

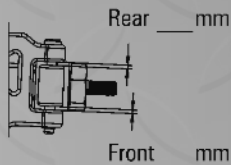
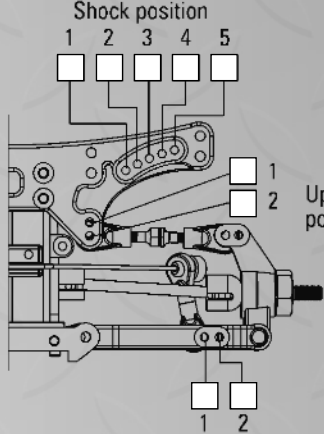
Rideheight front _____
 Rideheight rear _____

REAR SUSPENSION

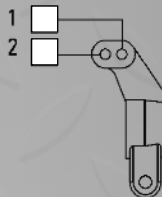
Shock position

1 2 3 4 5

Wheelbase adjustment

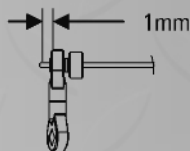


Upper arm position



Rear shock
 Oil: _____
 Pistons: _____
 Spacer: _____
 Springs: _____

Sway bar
 Diameter: _____ mm



Tire
 Front _____ Rear _____
 Type: _____ Type: _____
 Foam: _____ Foam: _____

Motor: _____ Battery: _____
 Spur Gear: _____ ESC: _____
 Pinion Gear: _____ Servo: _____

Track conditions
 Size: Open Med Tight
 Traction: High Med Low
 Surface: Carpet Asphalt

Diff Oil
 Front: _____
 Rear: _____

Comment

Name: _____
 Date: _____
 Track: _____