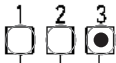


S10 SC BLAST 2

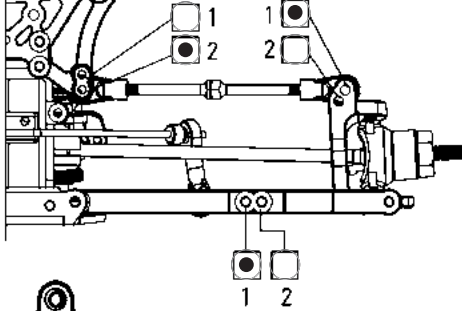
SETUP SHEET

FRONT SUSPENSION

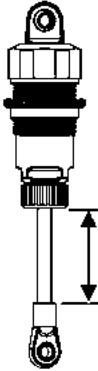
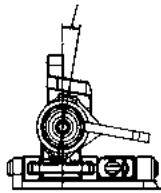
Shock position



Upper arm position

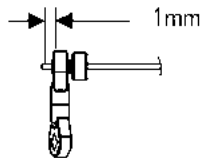


Caster angle
Standard: 10°
Option: 4°

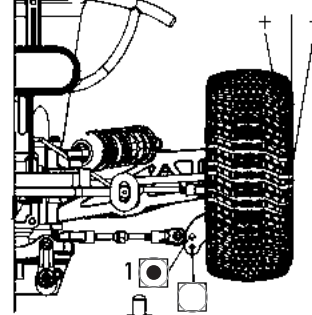


Front shock
Oil: LRP 50wt
Pistons: std
Spacer: 1mm
Springs: std

Sway bar
Diameter: 1.6 mm

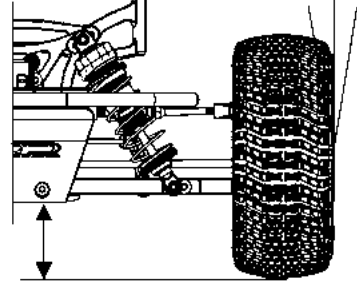


Toe angle



Front toe angle 0°
Notes _____
Rear toe angle +2.5°
Notes _____

Camber angle



Camber front -2°
Notes _____
Camber rear -2°
Notes _____

Rideheight front 31mm

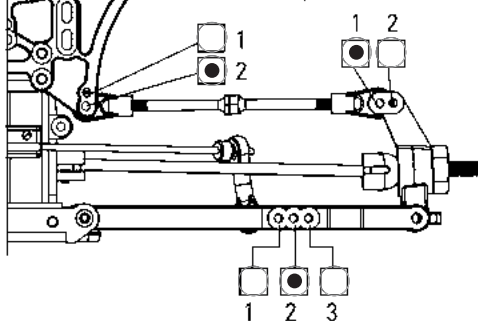
Rideheight rear 38mm

REAR SUSPENSION

Shock position

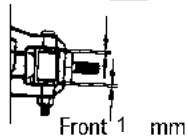


Upper arm position

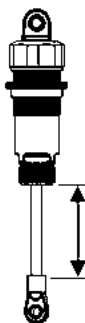


Wheelbase adjustment

Rear 1 mm

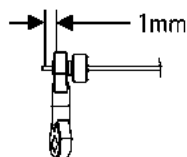


Front 1 mm



Rear shock
Oil: LRP 50wt
Pistons: std
Spacer: 2mm
Springs: std

Sway bar
Diameter: 1.6 mm



Tire

Front

Rear

Type: std (#122027)

Type: std (#122027)

Foam: _____

Foam: _____

Motor: _____

Battery: _____

Spur Gear: 77T

ESC: _____

Pinion Gear: _____

Servo: LRP R-7103WP

Track conditions

Size: Open Med Tight

Traction: High Med Low

Surface: Smooth Med Bumpy

Diff Oil

Front: Grease _____

Rear: Grease _____

Comment

Basic Setup, LRP Team

Name: _____

Date: _____

Track: _____