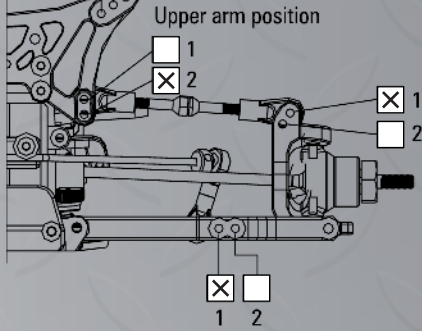
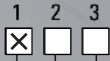


SIOBLAST BX

SETUP GUIDE

FRONT SUSPENSION

Shock position

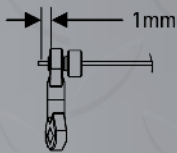


Caster angle
 Standard: 10°
 Option: 4°

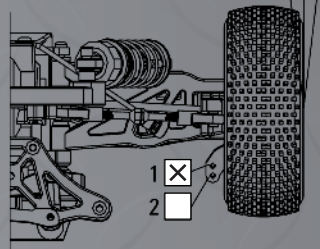


Front shock
 Oil: LRP 35wt
 Pistons: std.
 Spacer: 2mm
 Springs: white

Sway bar
 Diameter: 2 mm

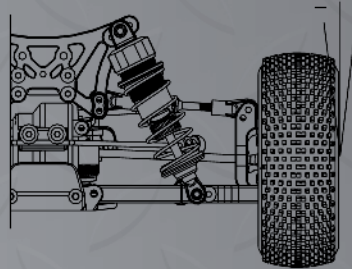


Toe angle



Front toe angle -1°
 Notes _____
 Rear toe angle +2.5°
 Notes _____

Camber angle

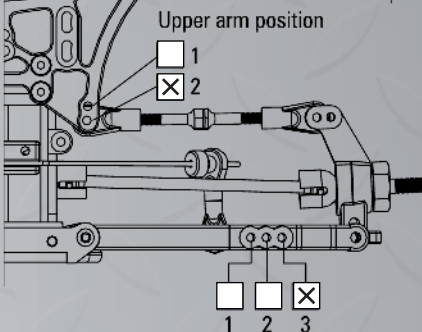
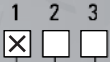


Camber front -0.5°
 Notes _____
 Camber rear -1°
 Notes _____

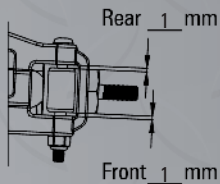
Rideheight front arm level
 Rideheight rear arm level

REAR SUSPENSION

Shock position

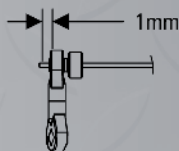


Wheelbase adjustment



Rear shock
 Oil: LRP 40wt
 Pistons: std.
 Spacer: 4mm
 Springs: white

Sway bar
 Diameter: 2 mm



Tire

Front	Rear
Type: <u>65552J</u>	Type: <u>65550J</u>
Foam: <u>original</u>	Foam: <u>original</u>

Motor: <u>LRP X12 10,5T</u>	Battery: <u>LRP 6900 50C</u>
Spur Gear: <u>72T</u>	ESC: <u>Flow Competition</u>
Pinion Gear: <u>22T</u>	Servo: <u>Sanwa SDX-801</u>

Track conditions

Size:	<input checked="" type="checkbox"/> Open	<input type="checkbox"/> Med	<input type="checkbox"/> Tight
Traction:	<input checked="" type="checkbox"/> High	<input type="checkbox"/> Med	<input type="checkbox"/> Low
Surface:	<input checked="" type="checkbox"/> Smooth	<input type="checkbox"/> Med	<input type="checkbox"/> Bumpy

Diff Oil

Front: _____ Grease
 Rear: _____ Grease

Comment

Name: Mirco Thalheimer
 Date: 20. / 21.10.2012
 Track: LOC Leonberg