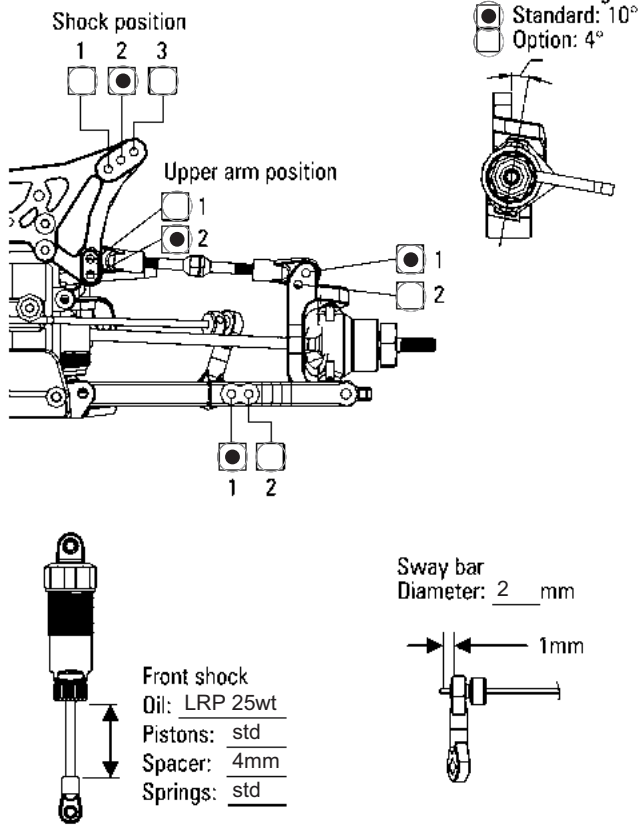


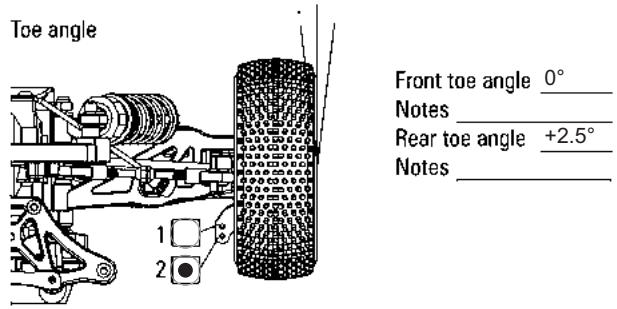
S10 BX BLAST 2

SETUP SHEET

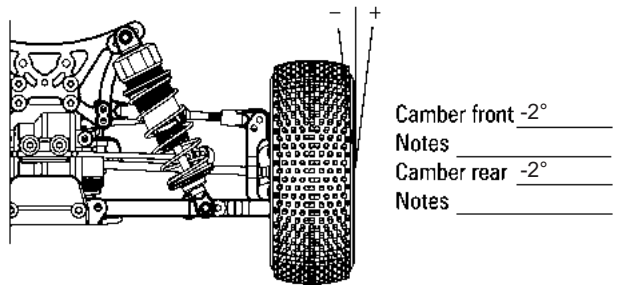
FRONT SUSPENSION



Toe angle



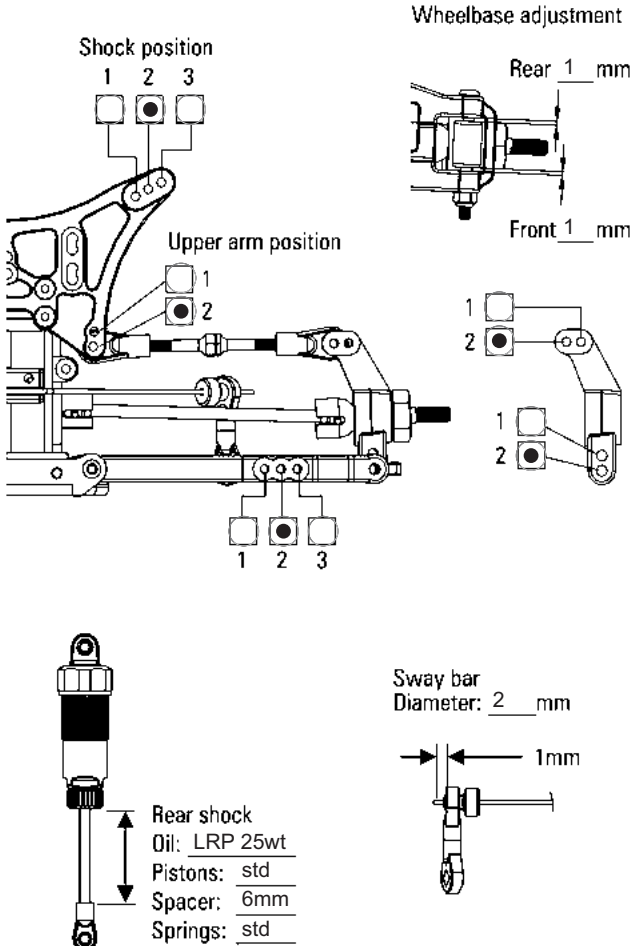
Camber angle



Rideheight front 24mm

Rideheight rear 25mm

REAR SUSPENSION



Tire

Front

Type: std (#122268)

Foam: _____

Rear

Type: std (#122269)

Foam: _____

Motor: _____

Spur Gear: 77T

Pinion Gear: _____

Battery: _____

ESC: _____

Servo: LRP R-7103W

Track conditions

Size: Open Med Tight

Traction: High Med Low

Surface: Smooth Med Bumpy

Diff Oil

Front: Grease

Rear: Grease

Comment

Basic Setup, LRP Team

Name: _____

Date: _____

Track: _____