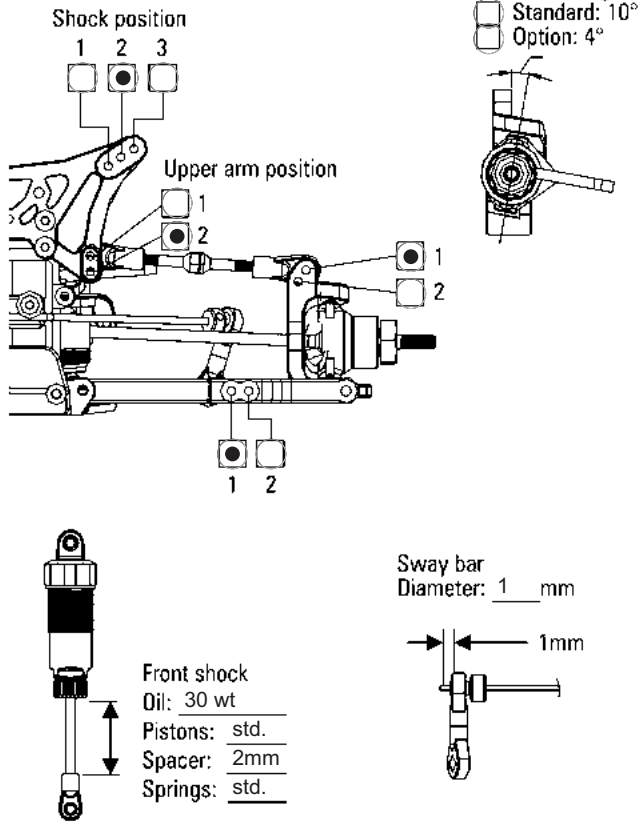


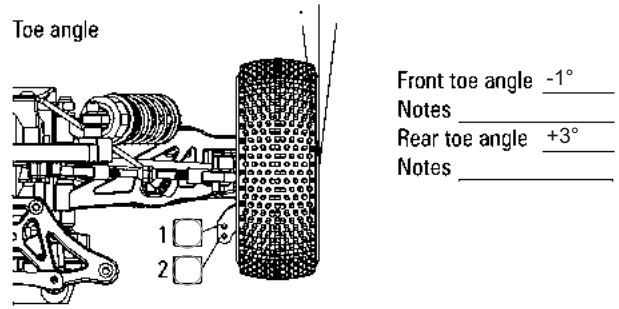
# S10 BX BLAST 2

## SETUP SHEET

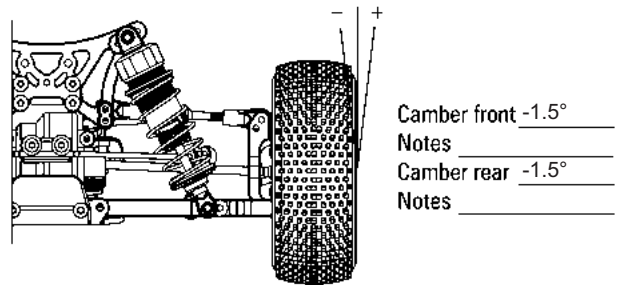
### FRONT SUSPENSION



### Toe angle



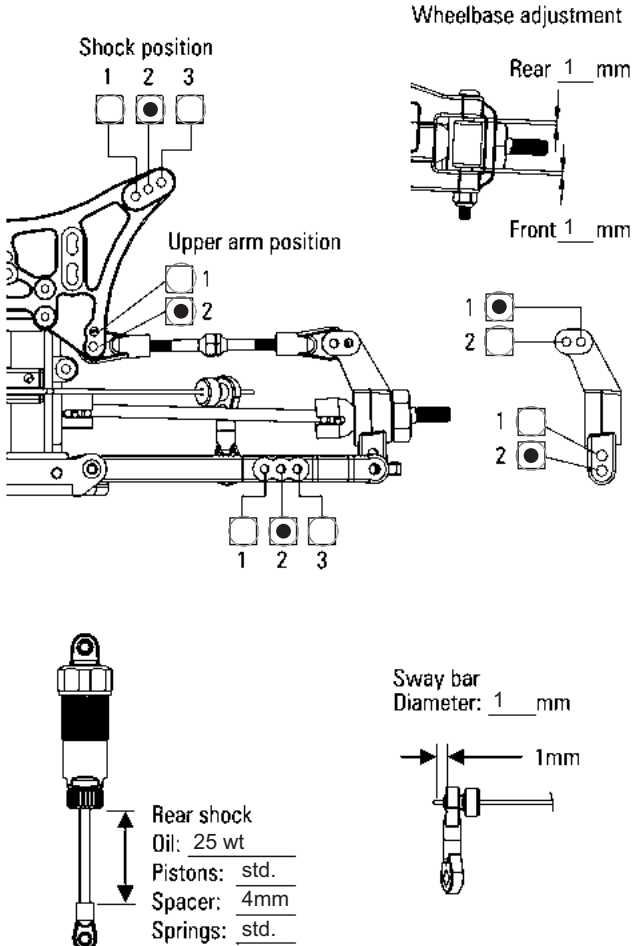
### Camber angle



Rideheight front 21mm

Rideheight rear 22mm

### REAR SUSPENSION



### Tire

Front

Rear

Type: JConcepts

Type: JConcepts

Foam: Double Dee 36f

Foam: Double Dee 36f

Motor: LRP 10.5T

Battery: LRP 7200

Spur Gear: 77T

ESC: LRP Flow

Pinion Gear: 29T

Servo: Sanwa 801

### Track conditions

Size:  Open  Med  Tight  
 Traction:  High  Med  Low  
 Surface:  Smooth  Med  Bumpy

### Diff Oil

Front: Grease

Rear: Grease

### Comment

LOC DM 2013 Solms

Name: Meik Niemann

Date: 21.07.2013

Track: Solms Outdoor